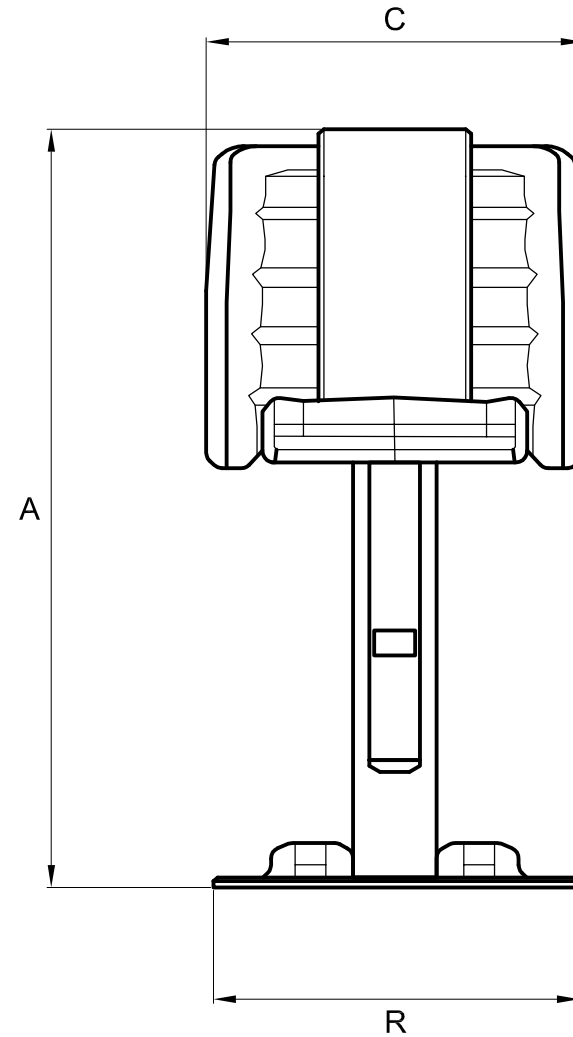
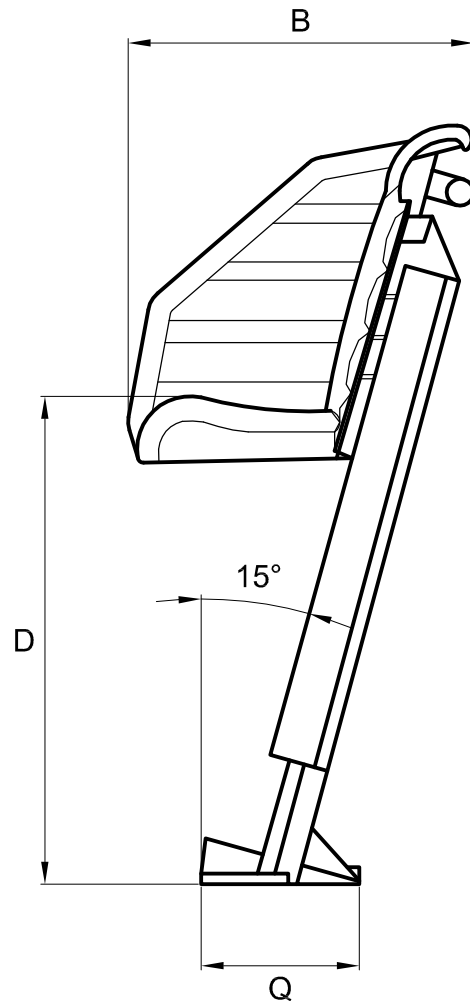


A (mm)	≈ 1170
B (mm)	≈ 510
C (mm)	560
D (mm)	750
Q (mm)	240
R (mm)	560
Weight (Kg)	50



The padding could vary the sizes of few centimeters



Product

P 397

Helm Seat